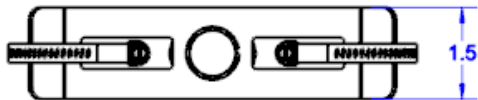
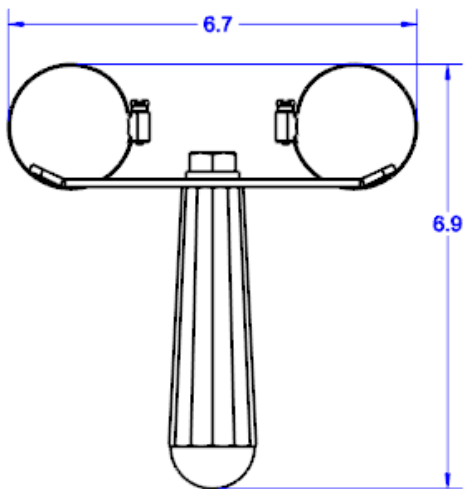


- **HAND HELD MOUNTING BRACKET FOR OUTLAND CAMERA AND LIGHTS**
- **ALL 316 STAINLESS STEEL CONSTRUCTION WITH PLASTIC HANDLE**
- **MOUNTS TO THE TOP OF A DIVE HELMET AFTER REMOVING THE HANDLE**

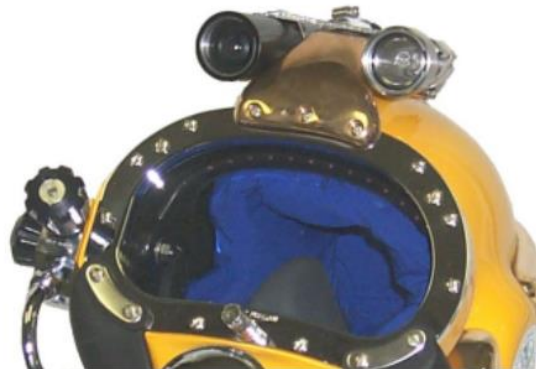


TOP VIEW



FRONT VIEW

CAMERA AND LIGHT NOT INCLUDED



USES INCLUDE: UNDERWATER CAMERA AND LIGHT MOUNTING

MECHANICAL:

Clamp Diameter Range.....	1.44 in. to 2.0 in.
Weight in air.....	0.68 lb. (0.31 kg)
Weight in seawater.....	.45 lb. (0.20 kg)
Depth Rating.....	Full Ocean Depth
Material.....	Stainless Steel with Phenolic Handle
Worm Clamp Drive.....	slotted / ¼ in. hex
Handle Mount Hex Bolt.....	½-13 (¾ in. hex)